



JET NOZZELS INSTALLED AT AN AIRPORT

Description :

Jet Nozzle is useful in areas such as Airport Lounges, Airport Departure / Arrival Halls, Hotel Lobbies, Metro stations, Sports Halls, Shopping Malls where the air has to travel long distance with force to cool/heat the selected areas.

The Aerodynamic Spherical Nozzles are designed in such a way that they can be adjusted to throw the air in any direction as desired and can be tilted up to 45° in any direction.

Construction :

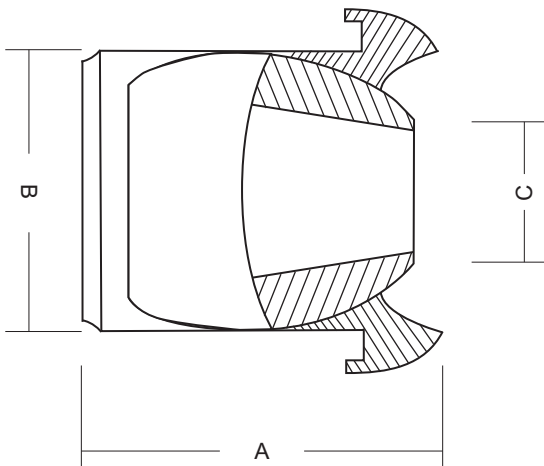
Jet Nozzle is made of Alluminium.

Finish :

Can be supplied in Mill Finish or any Colour as per RAL.

Installation :

Jet Nozzle can be installed on ceiling or on side walls with the help of Screws.



SIZE	A mm	B mm	C mm
250	135	215	110
300	155	250	134
350	195	320	179

NOTE : * RESEARCH & DEVELOPMENT IS A CONTINUOUS PROCESS WITH US. AS IMPROVEMENTS ARE MADE FROM TIME TO TIME, SPECIFICATIONS / DIMENSIONS MAY CHANGE WITHOUT NOTICE.
* TOLERANCES IN DIMENSIONS ARE AS PER INTERNATIONAL STANDARDS.

