

Description :

Jet Diffuser is useful in areas such as Airport Lounges, Airport Departure / Arrival Halls, Hotel Lobbies, Metro stations, Sports Halls, Shopping Malls where the air has to travel long distance with force to cool/heat the selected areas.

The Nozzles are designed in such a way that they can be adjusted to throw the air in any direction as desired and can be tilted up to 45° in any direction.

Construction :

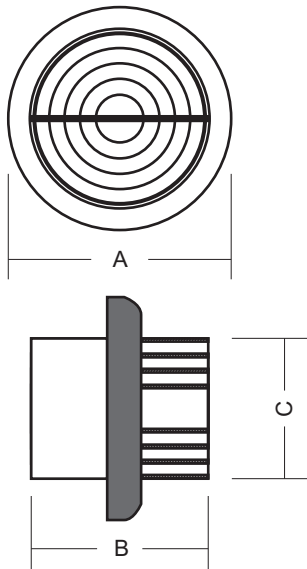
Outer frame is made of Alluminium whereas inner cylindrical cores are made of Steel or Alluminium as desired.

Finish :

Can be supplied in Mill Finish or any Colour as per RAL

Installation :

Jet Diffusers can be installed on ceiling or on side walls with the help of Screws



SIZE	A mm	B mm	C mm
8"	90	130	110
10"	330	130	170
12"	380	130	230

NOTE : * RESEARCH & DEVELOPMENT IS A CONTINUOUS PROCESS WITH US. AS IMPROVEMENTS ARE MADE FROM TIME TO TIME, SPECIFICATIONS / DIMENSIONS MAY CHANGE WITHOUT NOTICE.
* TOLERANCES IN DIMENSIONS ARE AS PER INTERNATIONAL STANDARDS.

