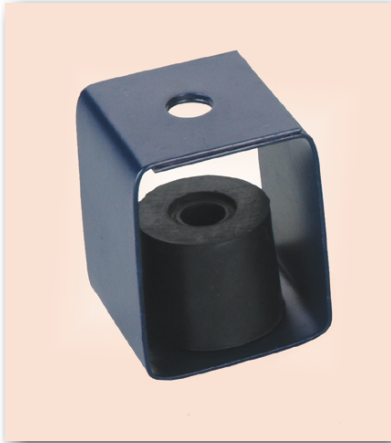


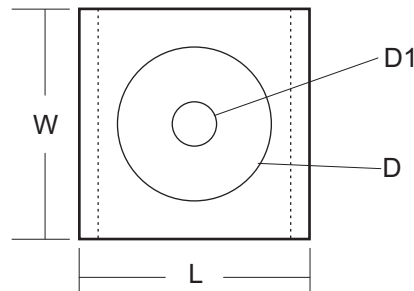
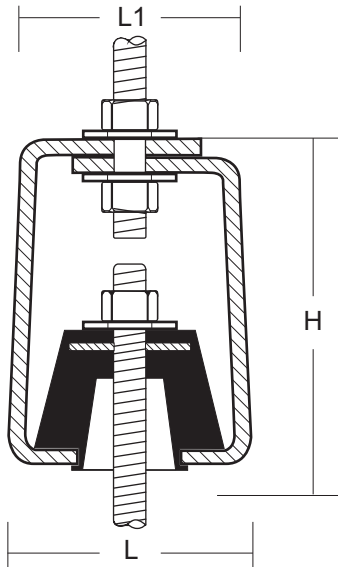
DURADUCT[®]

A. V. HANGERS

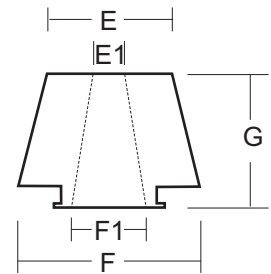


Product Feature

- * Moulded Rubber element with collar to ensure element doesn't slip from the position.
- * Rubber element moulded with Steel washer inside.
- * Powder coated/Oven Baked Paint Steel housing.
- * Rubber element designed in conical shape to have better load distribution during Compression.
- * 30° swing provided for lower rod misalignment.
- * Item code AVH 25 is supplied without Steel housing.



BOTTOM VIEW



ITEM CODE	COMPRESSION IN MM	LOAD IN Kgs.	SUITABLE HANGER ROD IN MM	DIMENSION IN MM										
				H	W	L	L1	D1	D2	G	E	E1	F	F1
AVH 100	5 mm	100	8 or 10	73	50	57	53	12.7	26	40	38	12.5	42	20
	8 mm	200												
AVH 25	5 mm	35	6 or 8	-	-	-	-	-	-	22	30	10	35	10
	8 mm	100												

NOTE : * RESEARCH & DEVELOPMENT IS A CONTINUOUS PROCESS WITH US. AS IMPROVEMENTS ARE MADE FROM TIME TO TIME, SPECIFICATIONS / DIMENSIONS MAY CHANGE WITHOUT NOTICE.
* TOLERANCES IN DIMENSIONS ARE AS PER INTERNATIONAL STANDARDS.



RICHFIELD[®]

GROUP OF COMPANIES

205 / 206, Morya House, Veera Industrial Estate,
Off New Link Road, Andheri (W), Mumbai 400 053. INDIA.
Tel. : 91-22-2673 3171 / 2673 2947 Fax : + 91-22-2673 3147
E-mail : abasrani@rediffmail.com